

# EYP-MNT-0000-00000-0000-CRM14-0001

Revision 0.93

05.12.2018

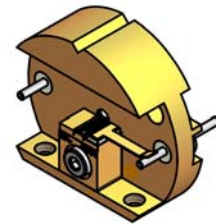
## CR-MOUNT Adapter Mount + Assembly

### General Product Information

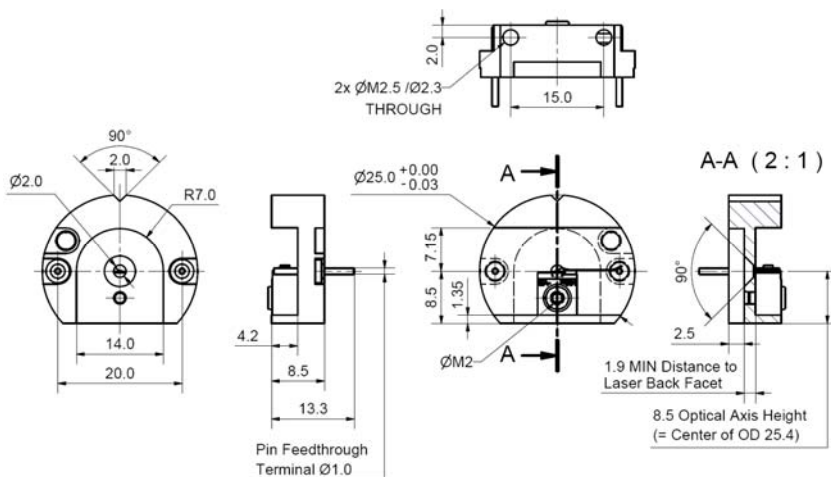
#### Product

Adapter Mount for eagleyard's Tapered Amplifier and other Laser Diodes on C Mount

- fits with all eagleyard products with part # EYP-xxx-xxxx-xxxx-xxxx-CMT0x-xxxx
- stable assembly with good thermal conduction
- usable in optical cage systems (Ø1") bringing the optical axis into the center of the system
- also mountable on top of other devices (e.g. heat sink) due to a plane baseplate
- wide recess of the mount allows use of lenses with short focal length
- additional pin for devices with multi segmented contacts is available on request



### Package Drawings



Z12-SPEC-CRT04-TPA-0001

### Ordering Information

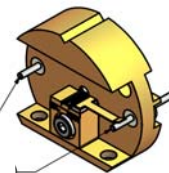
The CR Mount is a package variant of eagleyard's lasers and tapered amplifiers. It is available as an option for all components built on a C Mount. The ordered laser or tapered amplifier on C Mount will be assembled on the CR Mount if this package option is chosen. The C Mount is not removable from the CR Mount.

### Pin Assignment

Anode (+): body

not connected

Cathode (-)



CR-Mount with mounted C-Mount component  
laser component offered separately

EYP-MNT-...-CRM14-0000: CR Mount (unmounted)

EYP-MNT-...-CRM14-0001: CR Mount + Assembly